



Technical Service Bulletin

August 31, 2015

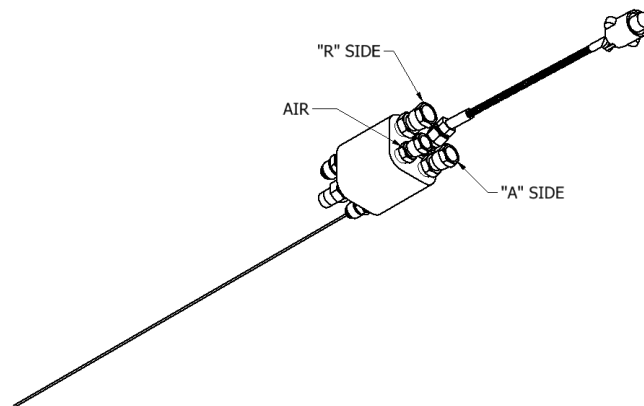
New Temperature Sensing Unit #EL-51A-4 to Replace #EL-51A

PMC is pleased to announce our new Temperature Sensing Unit Part # EL-51A-4. This new unit will immediately replace the EL-51A and is designed to provide a smaller hose bundle diameter at the point of connection of the TSU. The EL-51A-4 incorporates the connectors for the chemical and air hoses all in one integral unit. The installation is clean, easy and quick.

EL-51A-4 also includes the same simple maintenance process as the EL-51A to remove and replace the thermocouple if necessary. All PMC proportioners manufactured after 9/1/2015 will include the new EL-51A-4. The list price and net price for the EL-51A-4 is the same as the EL-51A. The EL-51A will be listed on new price lists as **"Order as EL-51A-4"**.

Attached to this e-mail is the detailed manual #MN-04016 for the new EL-51A-4.

EL-51A-4 Assembly

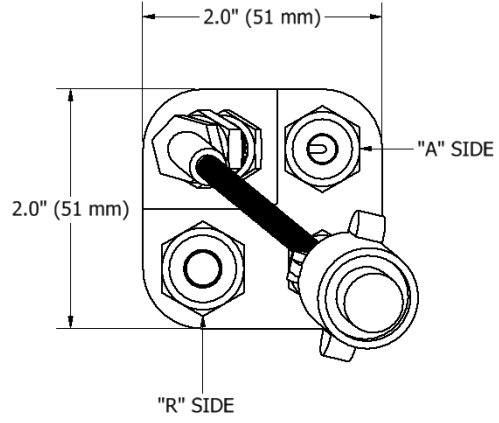
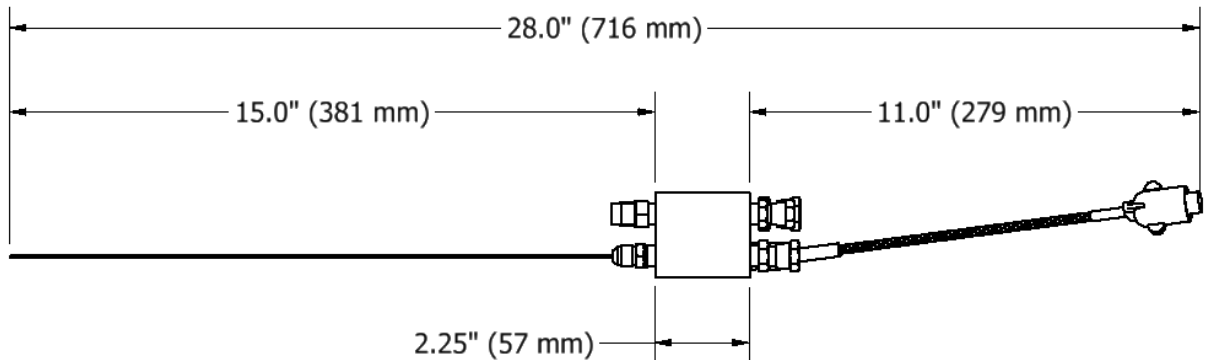


CHARACTERISTICS

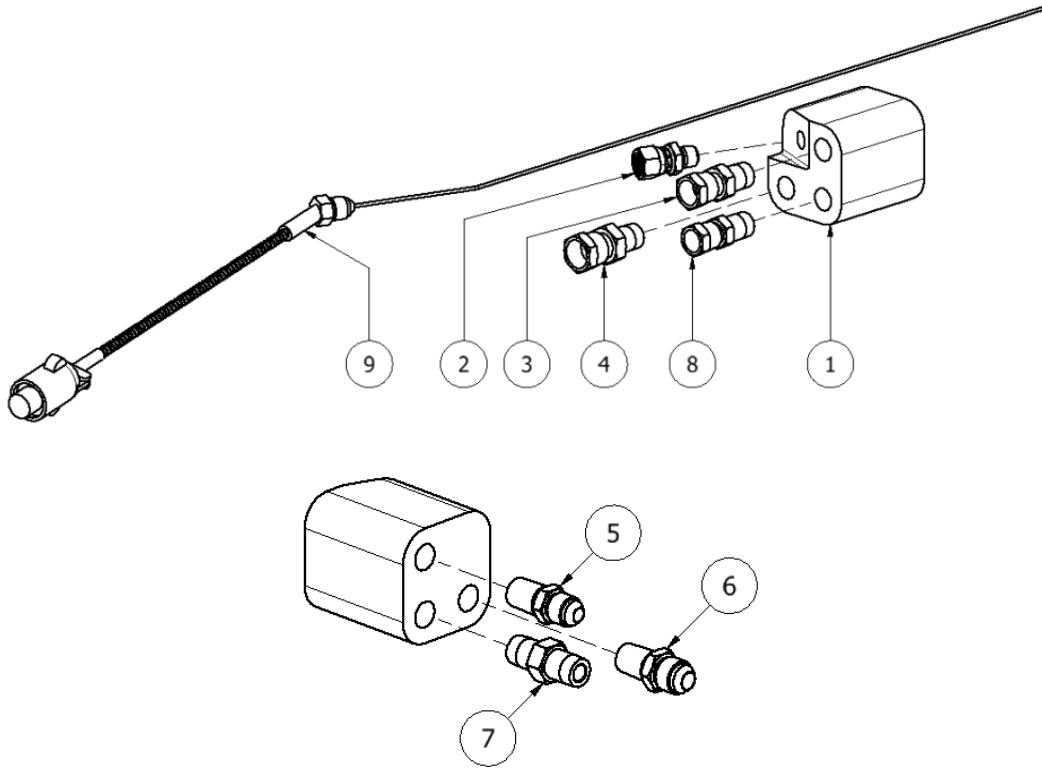
- Accurate and precise
- Compact design
- Easy to install
- Low maintenance

TECHNICAL SPECIFICATIONS

Thermocouple Type _____ Type E
Temperature Range _____ 0 to 1000 °F (-18 to 540 °C)
"A" Side Fittings _____ -5 JIC
"R" Side Fittings _____ -6 JIC
Air Fittings _____ 1/4" NPT



EL-51A-4 Parts Identification



EL-51A-4			
ITEM	QTY	PART NUMBER	DESCRIPTION
1	1	EL-00051A-9	TSU WITH AIR
2	1	EL-00051A-3	1/8 X #4 JIC FEM SWIVEL FTG
3	1	EL-00051A-7	1/4 X #5 JIC FEMALE SWIVEL FTG
4	1	EL-00051A-5	1/4 X #6 JIC FEMALE SWIVEL FTG
5	1	EL-00051A-4	1/4 X #5 JIC MALE FTG
6	1	EL-00051A-6	1/4 X #6 JIC MALE FTG
7	1	GP-00100-1	1/4 PIPE NIPPLE
8	1	EL-00051A-10	1/4 MNPT X 1/4 FNPT SWIVEL
9	1	EL-51A-2	FLEX THERMOCOUPLE

PMC will continue to improve products for our industry. If you have any technical or installation questions please contact our Technical Service Department.

Regards and thank you for your continued support.

Bill Hrynkiewicz

Vice President Marketing & Sales